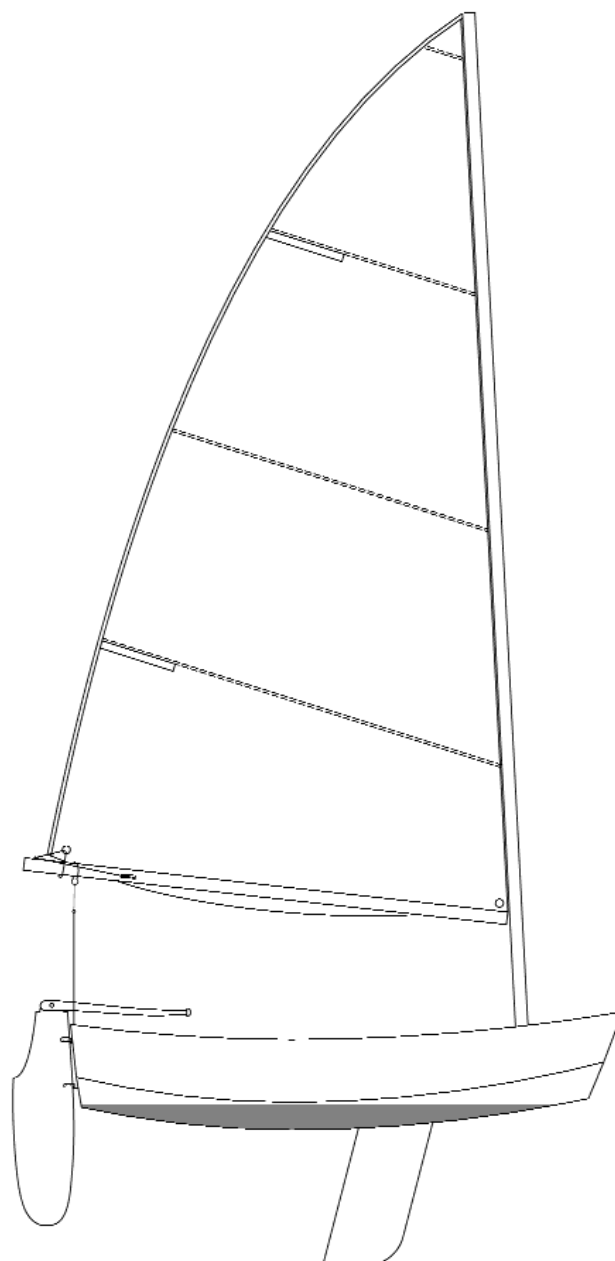


PRAM 200

Designed for a boat owner who wanted to fit his eight meter "yacht" with a rigid tender, the PRAM 200 has the minimum dimensions to be used safely for this type of task, maintaining at the same time a boat appearance and not that of a

floating box. Thanks to its light weight it may be lifted on board or launched when the yacht is moored. Fitted with a small sail and a centreboard, it may be utilized by children or adults for enjoyable sailing in protected waters.



hull	FLAT BOTTOM DOUBLE CHINE	length OA	m 2,20	PLANS n° 4 sheets A4 - building instructions - material list
sail plan	MARCONI CATBOAT	length WL	m 1,90	
skills requested	LITTLE EXPERIENCE	deck beam	m 1,20	
construction method	STITCH AND GLUE	sail area	m ² 4,00	
		displacement	kg 42	